

Ring dimensions

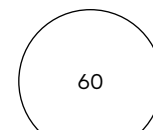
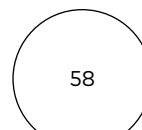
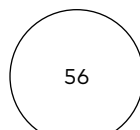
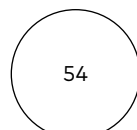
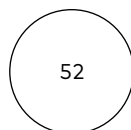
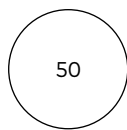
Fine Principles uses the International standard system ISO (8653:2016), which defines ring sizes in terms of the inner diameter of the ring and is measured in millimetres.

Inner diameter Ø and circumference C in mm

ISO/EU	Ø	C	US/CA	UK/IE/AU	CN/JP	IN	IT/ES/CH
	15.49	48.7	4¾	J		9	8.7
	15.70	49.3	5	J½	9		9.3
50	15.92		5¼	K		10	10
	16.31	51.2	5¾	L		11	11.2
	16.51	51.9	6	L½	11	12	11.9
52	16.55						
	16.71	52.5	6¼	M	12		12.5
	17.12	53.8	6¾	N			13.8
54	17.19						
	17.32	54.4	7	N½	14	14	14.4
	17.73	55.7	7½	O½	15		15.7
56	17.83						
	17.93	56.3	7¾	P		16	16.3
	18.34	57.6	8¼	P¾			17.6
58	18.46						
	18.54	58.3	8½	Q¼	17	18	18.3
	18.95	59.5	9	R½	18		19.5
60	19.10						
	19.15	60.2	9¼	S		20	20.2
	19.56	61.4	9¾	T			21.4

Fine Principles ring sizes are 50, 52, 54, 56, 58, and 60.

There is also the option of intermediate sizes such as 51 or 55, and much smaller or larger sizes on request. Please contact us at hello@fineprinciples.com and we will come back with a solution.



Ring sizes

There are two different ways to measure your ring size. First, print this page on an A4 sheet and make sure that the document is printed in its original size and not scaled.

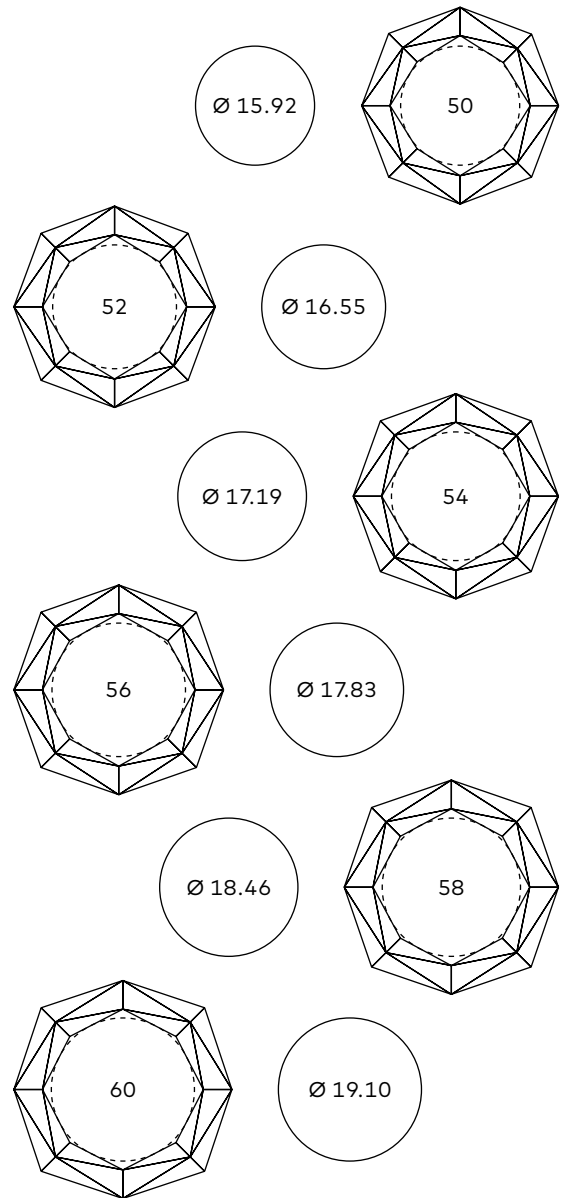
Measure with a current ring

Next, place an existing ring on the circles until you find the inside diameter of your ring. If your ring is between two sizes, please contact us at hello@fineprinciples.com and we will offer you an intermediate size.

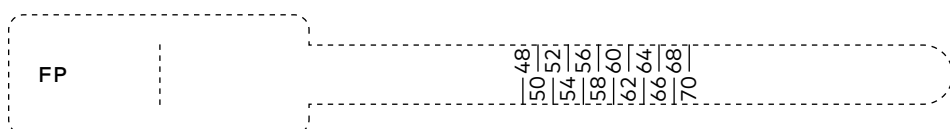
Measure with a ring sizer

Cut out the sizer below, pull the tab through the slit and wrap it around the largest part of your finger. Pull it tight until the sizer fits comfortably—tight enough so it doesn't fall off, but loose enough to slide over your knuckle. For best results, measure your finger size at the end of the day and when your fingers are warm.

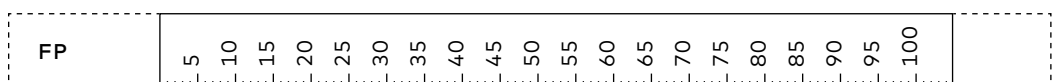
For more instruction, please get in touch with us at hello@fineprinciples.com and we try to help you.



Ring sizer



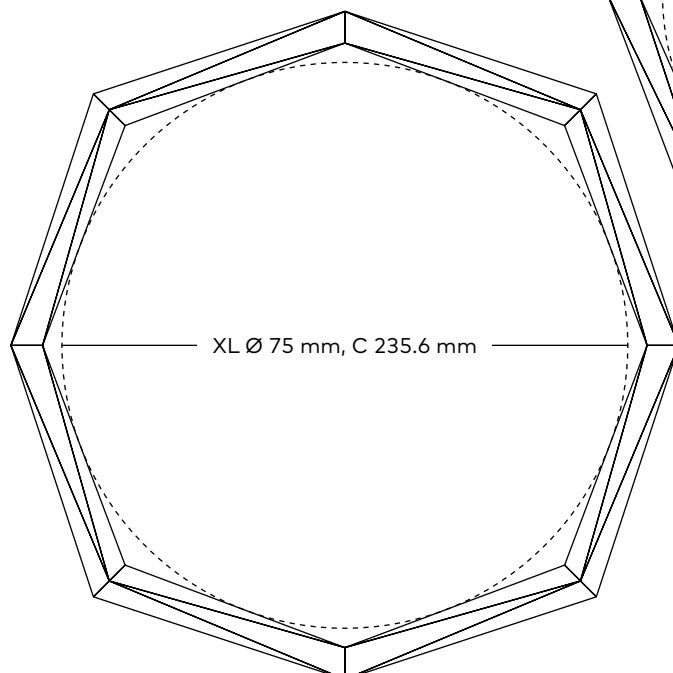
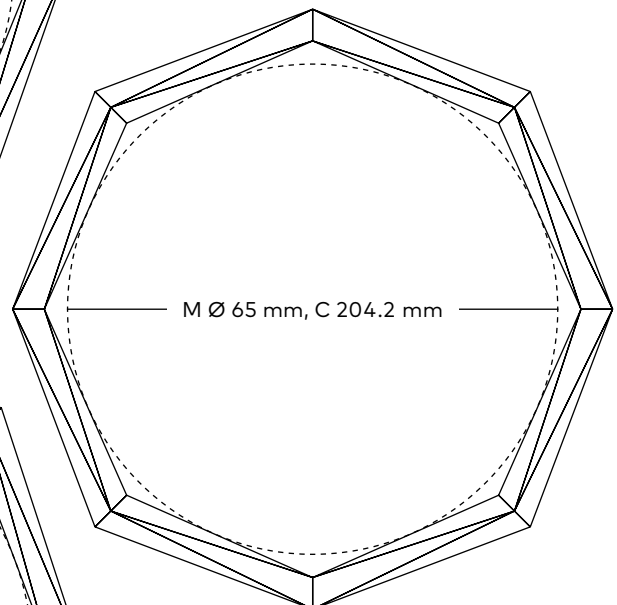
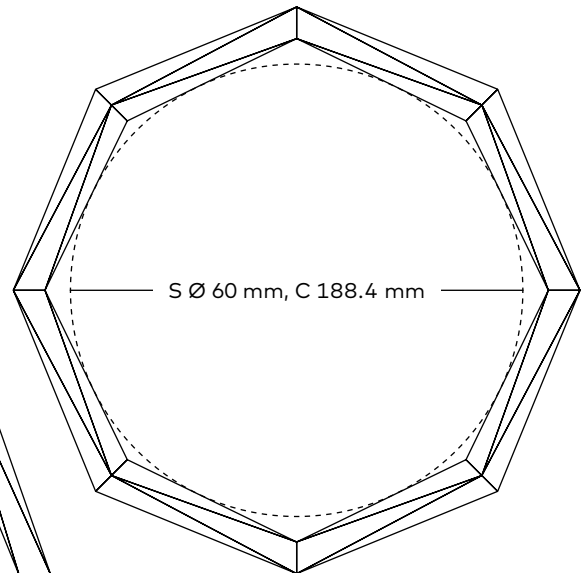
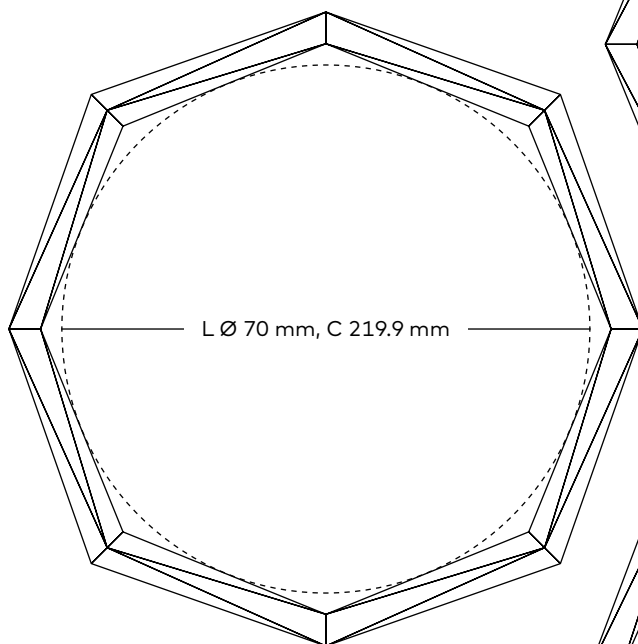
Ruler



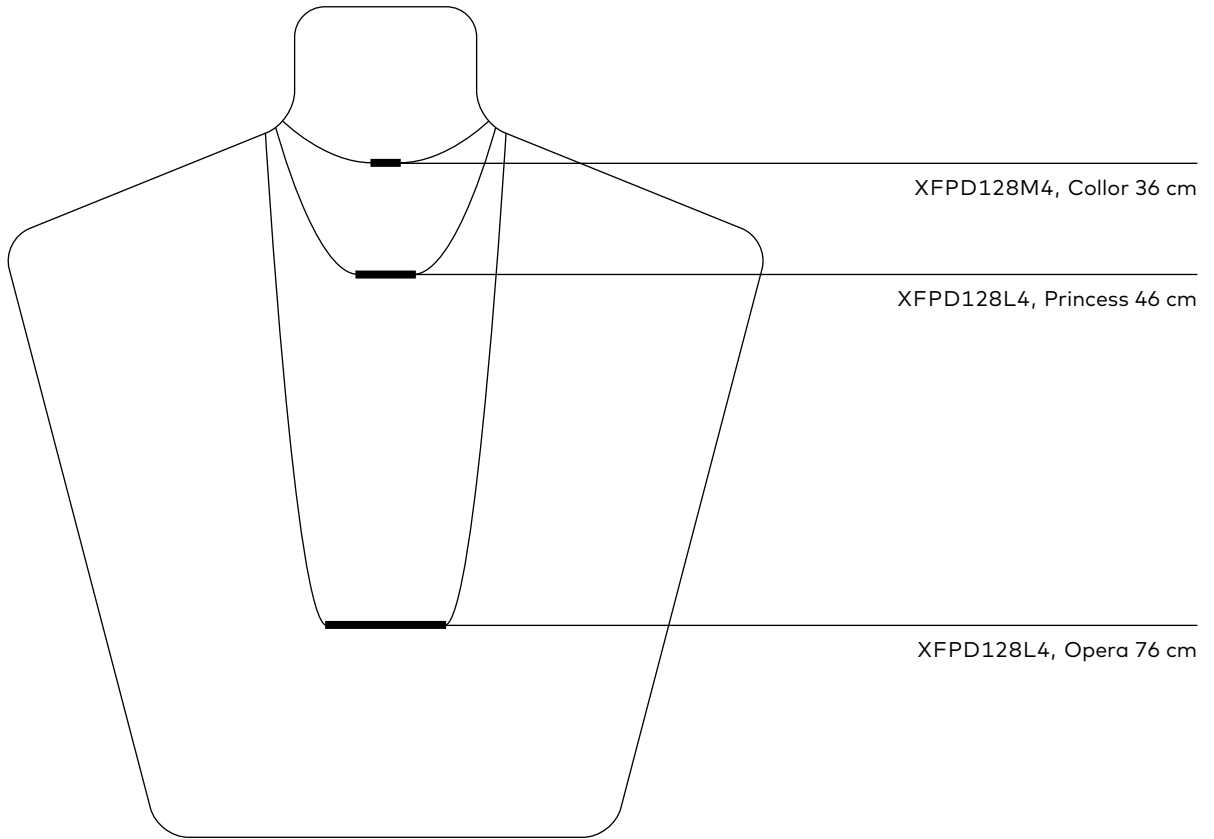
Bangle sizes

Measure with a template

Cut out the templates and carefully put your hand through the hole. We recommend cutting along the inside edges and not along the circumference (dashed line). Because of the angular shape, the bangle might otherwise turn out a little smaller.



Chain lengths



Fine Principles
Object and Jewellery Systems

Catalogue
December 2022

Contact

Fine Principles
by Alexandra Schwarzwald
Prenzlauer Allee 186
10405 Berlin—Prenzlauer Berg
Deutschland

+ 49 (0) 174 4333 076

fineprinciples.com
hello@fineprinciples.com
[@fineprinciples](https://www.instagram.com/fineprinciples)

