

Ring dimensions

We use the International standard system ISO (8653:2016), which defines ring sizes in terms of the inner diameter of the ring, and is measured in millimetres.

Inner diameter Ø and circumference C in mm:

ISO/EU	Ø	C	US/CA	UK/IE/AU	CN/JP	IN	IT/ES/CH
	16.31	51.2	5¾	L		11	11.2
	16.51	51.9	6	L½	11	12	11.9
52	16.55						
	16.71	52.5	6¼	M	12		12.5
	17.12	53.8	6¾	N			13.8
54	17.19						
	17.32	54.4	7	N½	14	14	14.4
	17.73	55.7	7½	O½	15		15.7
56	17.83						
	17.93	56.3	7¾	P		16	16.3
	18.34	57.6	8¼	P¾			17.6
58	18.46						
	18.54	58.3	8½	Q¼	17	18	18.3
	18.95	59.5	9	R½	18		19.5
60	19.10						
	19.15	60.2	9¼	S		20	20.2
	19.56	61.4	9¾	T			21.4

Our standard sizes are 52, 54, 56, 58, and 60. We also offer larger ones on request. Contact us, and let us know your desired ring size.

Ring sizes

Ring templates

There are three different ways to measure your ring size. First, print the page on an A4 sheet and make sure that the document is in its original size, and not scaled.

1. Measure with an existing ring

Place an existing ring on the circles until you find the inner diameter of your ring.

2. Measure with the templates

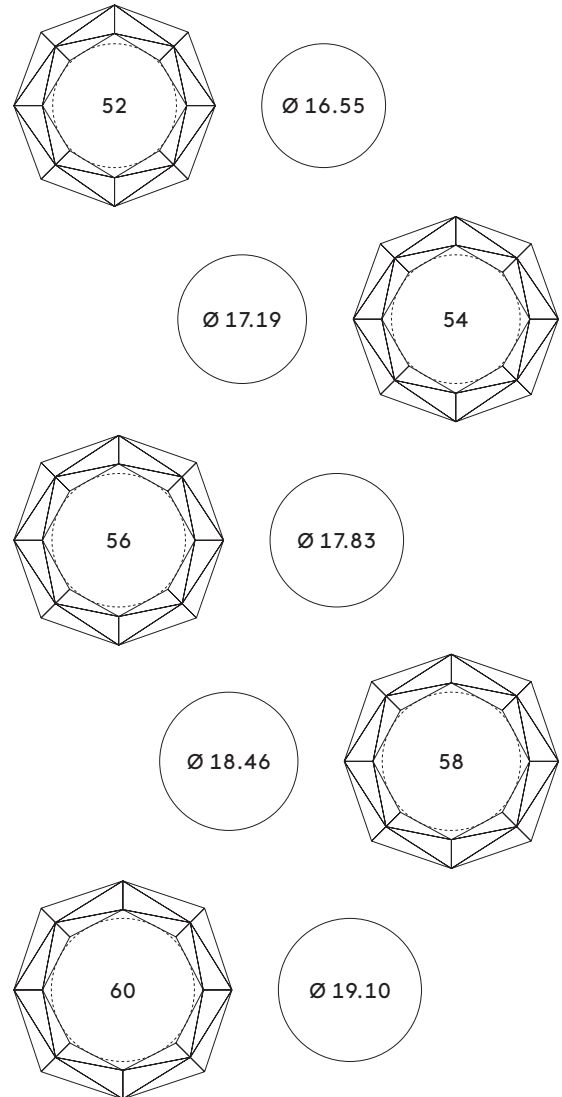
Cut out the templates along the outer, and inner edge (not along the dotted line). Then carefully insert your finger through the hole, and determine your size.

3. Measure with the ring template

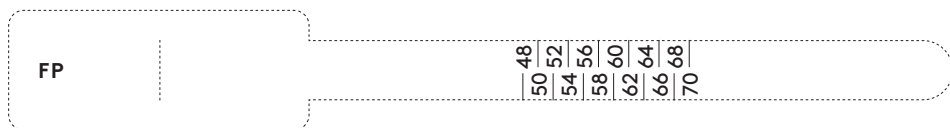
Cut out the template below, pull the tab through the slit, and wrap it around your finger. Pull it tight until the size fits comfortably, but make sure it slides over your knuckle.

For best results, measure your finger size at the end of the day when your fingers are warm.

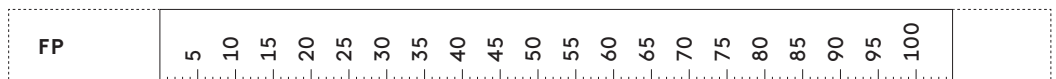
If your ring is between two sizes, please contact us at hello@fineprinciples.com, and we will try to find a solution.



Ring sizer



Ruler



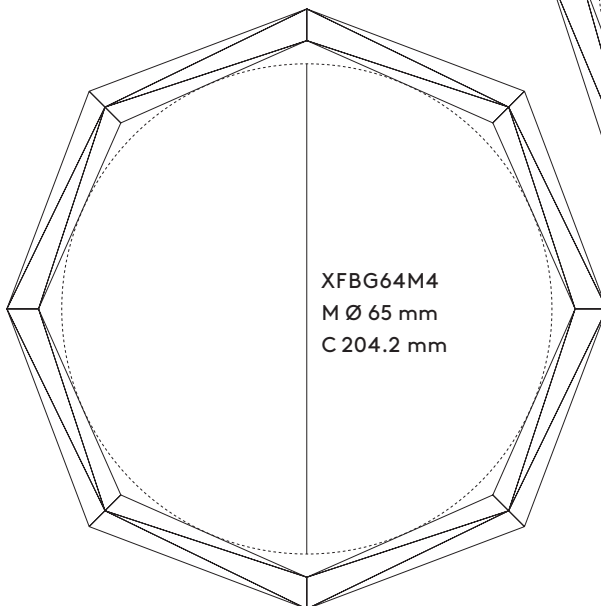
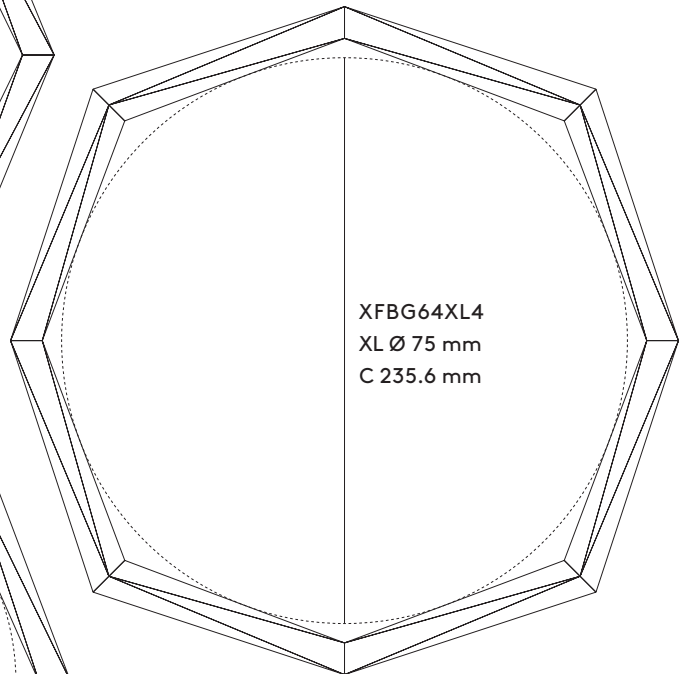
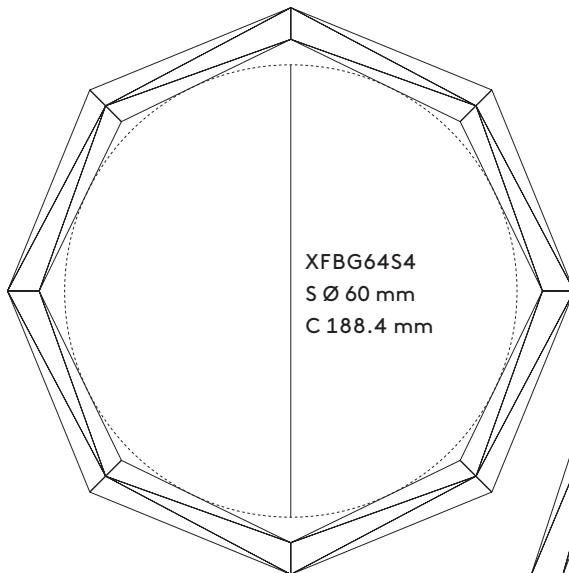
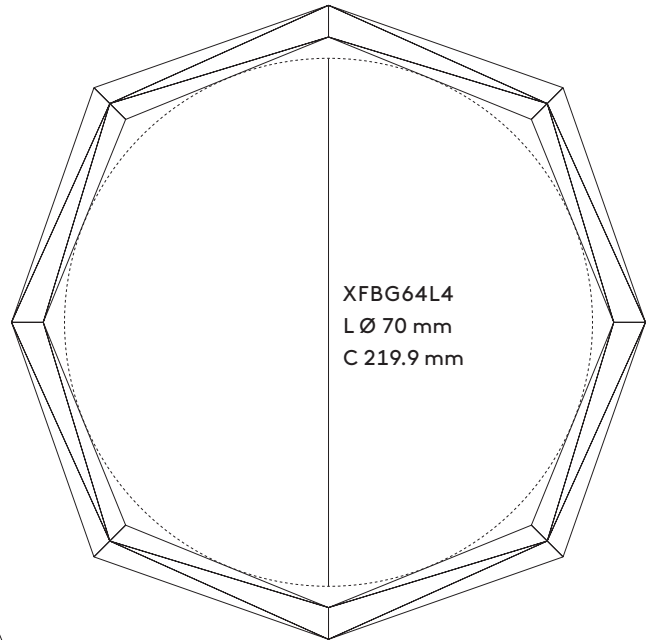
Bangle sizes

Bangle templates

Print the page on an A4 sheet and make sure that the document is in its original size, and not scaled.

Measure with the templates

Cut out the templates along the outer, and inner edges (not along the dashed line). Next, carefully put your hand through the hole, and make sure that the bangle does not slip off.



Chain lengths

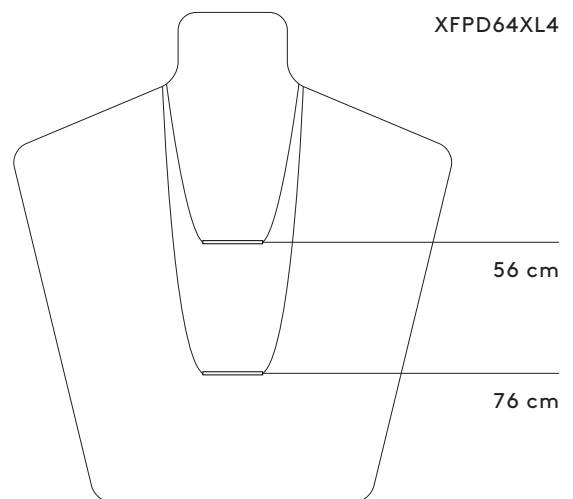
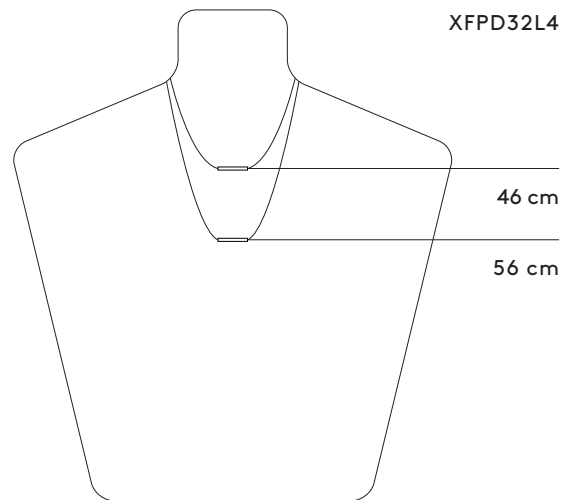
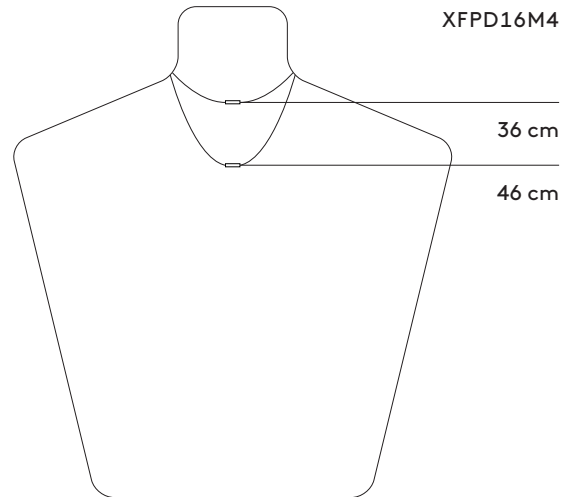
Depending on the pendant size, we offer different chain lengths, so we recommend:

XFPD16M4	36 cm or 46 cm
XFPD32L4	46 cm or 56 cm
XFPD64XL4	56 cm or 76 cm

Measure with a string

Cut the preferred length of a string and place it around your neck so that you can wear it comfortably. Please note that our pendant sits horizontally, which optically shortens the length.

The total length of the chain includes the 1.5 cm swivel. If you need further instructions, contact us at hello@fineprinciples.com, and we will try to help.



Dimensions

Bar Earring

XFBE32S2	2.82 × 2.82 × 10 mm
XFBE128S2	2.82 × 2.82 × 10 mm
XFBE32M2	2.82 × 2.82 × 20 mm
XFBE128M2	2.82 × 2.82 × 20 mm
XFBE32L2	2.82 × 2.82 × 40 mm
XFBE128L2	2.82 × 2.82 × 40 mm

Pendant

XFPD16M4	5.66 × 5.66 × 20 mm
XFPD32L4	5.66 × 5.66 × 40 mm
XFPD64XL4	5.66 × 5.66 × 80 mm

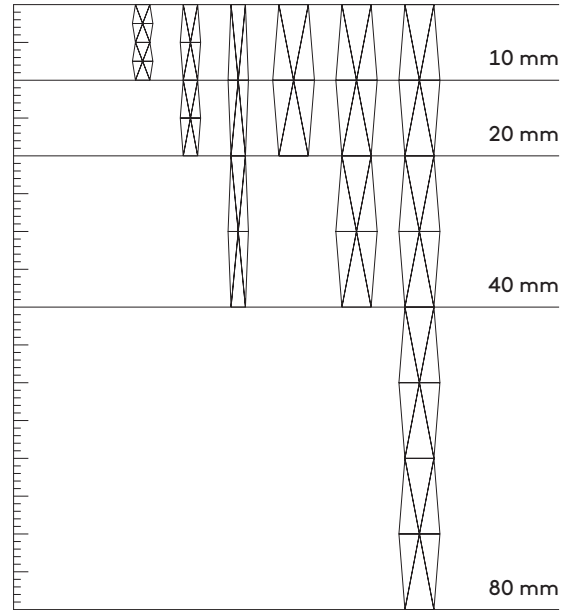
Circle Earring

XFCE64S2	2.82 × 10 × 10 mm
XFCE128S2	2.82 × 10 × 10 mm
XFCE256S2	2.82 × 10.6 × 10.6 mm
XFCE128M2	2.82 × 20 × 20 mm
XFCE256M2	2.82 × 20.4 × 20.4 mm
XFCE512M2	2.82 × 20.7 × 20.7 mm

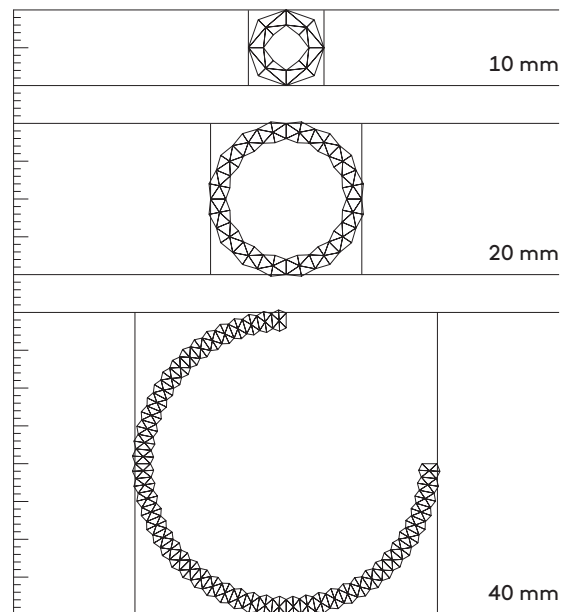
Creole

XFCO64M2	2.82 × 20 × 20 mm
XFCO128M2	2.82 × 20 × 20 mm
XFCO256M2	2.82 × 20.4 × 20.4 mm
XFCO256L2	2.82 × 40 × 40 mm
XFCO512L2	2.82 × 40.5 × 40.5 mm
XFCO1024L2	2.82 × 40.7 × 40.7 mm

Bar Earring and Pendant



Circle Earring and Creole



Fine Principles
Introducing Series XF

Specification
March 2024

Contact

Fine Principles
by Alexandra Schwarzwald

fineprinciples.com
hello@fineprinciples.com
[@fineprinciples](#)

