

Ring dimensions

We use the International standard system ISO (8653:2016), which defines ring sizes in terms of the inner diameter  $\varnothing$  of the ring and is measured in millimetres:

| ISO/EU | $\varnothing$ | C    | UK/AU           | IT/ES/CH | US/CA            |
|--------|---------------|------|-----------------|----------|------------------|
| 48     | 15.3          | –    | –               | –        | –                |
|        | 15.49         | 48.7 | J               | 8.7      | 4 $\frac{3}{4}$  |
|        | 15.70         | 49.3 | J $\frac{1}{2}$ | 9.3      | 5                |
| 50     | 15.9          | –    | K               | 10       | 5 $\frac{1}{4}$  |
|        | 16.31         | 51.2 | L               | 11.2     | 5 $\frac{3}{4}$  |
|        | 16.51         | 51.9 | L $\frac{1}{2}$ | 11.9     | 6                |
| 52     | 16.6          | –    | –               | –        | –                |
|        | 16.71         | 52.5 | M               | 12.5     | 6 $\frac{1}{4}$  |
|        | 17.12         | 53.8 | N               | 13.8     | 6 $\frac{3}{4}$  |
| 54     | 17.2          | –    | –               | –        | –                |
|        | 17.32         | 54.4 | N $\frac{1}{2}$ | 14.4     | 7                |
|        | 17.73         | 55.7 | O $\frac{1}{2}$ | 15.7     | 7 $\frac{1}{2}$  |
| 56     | 17.8          | –    | –               | –        | –                |
|        | 17.93         | 56.3 | P               | 16.3     | 7 $\frac{3}{4}$  |
|        | 18.34         | 57.6 | P $\frac{3}{4}$ | 17.6     | 8 $\frac{1}{4}$  |
| 58     | 18.5          | –    | –               | –        | –                |
|        | 18.54         | 58.3 | Q $\frac{1}{4}$ | 18.3     | 8 $\frac{1}{2}$  |
|        | 18.95         | 59.5 | R $\frac{1}{2}$ | 19.5     | 9                |
| 60     | 19.1          | –    | –               | –        | –                |
|        | 19.15         | 60.2 | S               | 20.2     | 9 $\frac{1}{4}$  |
|        | 19.56         | 61.4 | T               | 21.4     | 9 $\frac{3}{4}$  |
| 62     | 19.7          | –    | –               | –        | –                |
|        | 19.96         | 62.7 | U               | 22.7     | 10 $\frac{1}{4}$ |
|        | 20.17         | 63.4 | U $\frac{1}{2}$ | 23.4     | 10 $\frac{1}{2}$ |
| 64     | 20.4          | –    | –               | –        | –                |
|        | 20.57         | 64.6 | V $\frac{1}{2}$ | 24.6     | 11               |
|        | 20.78         | 65.3 | W               | 25.3     | 11 $\frac{1}{4}$ |
| 66     | 21.0          | –    | –               | –        | –                |
|        | 21.18         | 66.6 | X               | 26.6     | 11 $\frac{3}{4}$ |
|        | 21.39         | 67.2 | X $\frac{1}{2}$ | 27.2     | 12               |
| 68     | 21.6          | –    | –               | –        | –                |
|        | 21.79         | 68.5 | Y $\frac{1}{2}$ | 28.5     | 12 $\frac{1}{2}$ |
|        | 22.00         | 69.1 | Z               | 29.1     | 12 $\frac{3}{4}$ |
| 70     | 22.3          | –    | –               | –        | –                |

## Ring sizes

Our standard sizes are 48, 50, 52, 54, 56, 58, 60, 62, 64, 66, 68 and 70, which you can find in the size guide. We also offer custom sizes on request.

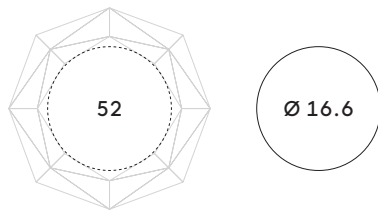
Please contact us at [hello@fineprinciples.com](mailto:hello@fineprinciples.com) and let us know your size.

### Ring measurement

There are three different ways to measure your ring size. First, print this page on an A4 sheet and ensure that the document is in its original size, not scaled.

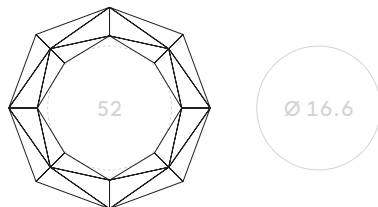
#### 1. Measure with an existing ring

Place an existing ring on the circles until you find the one that matches the inner diameter of your ring (see the next page).



#### 2. Measure with the templates

Cut out the templates along both the outer and inner edges (not along the dashed line). Then carefully insert your finger through the hole and determine your size (see the next page).



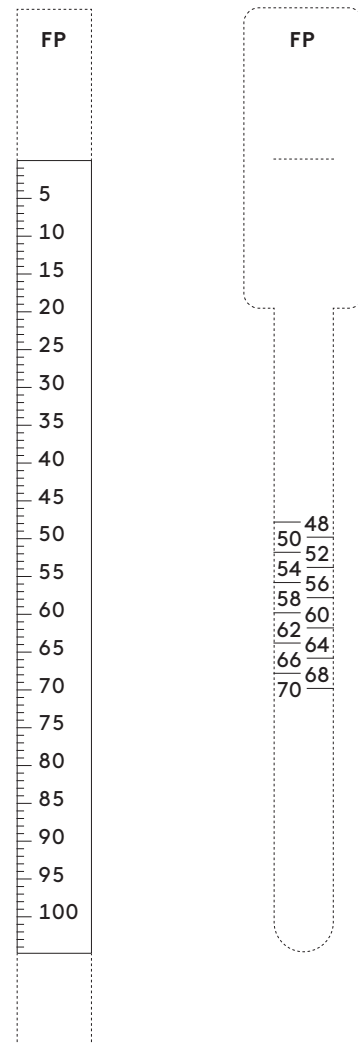
#### 3. Measure with the ring sizer

Cut out the sizer, pull the tab through the slit, and wrap it around your finger. Pull it tight until the size fits comfortably, but make sure it can still slide over your knuckle.

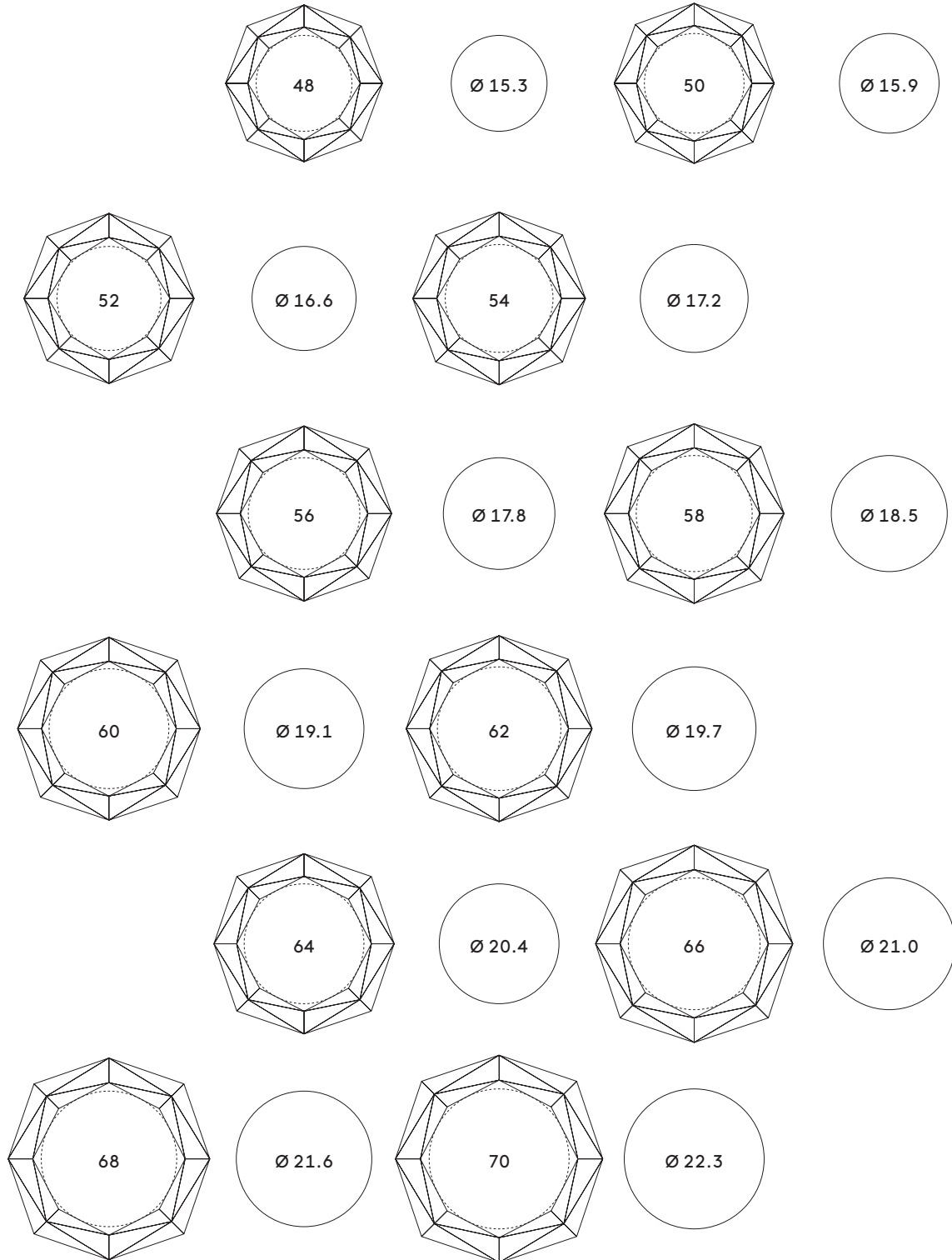
For best results, measure your finger size at the end of the day when your fingers are warm.

Please bear in mind that, although we've prepared tools and templates, the best way to find your perfect ring size is by trying it on in person. Due to the angles inside the ring, the actual size may vary slightly.

### Ruler and ring sizer



Ring templates



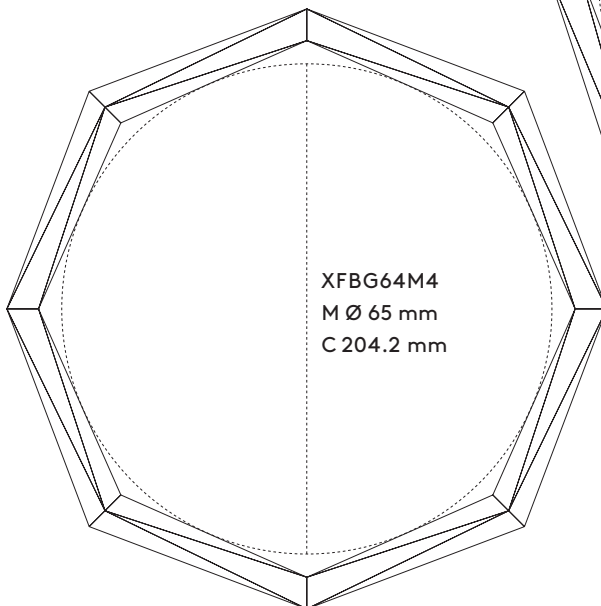
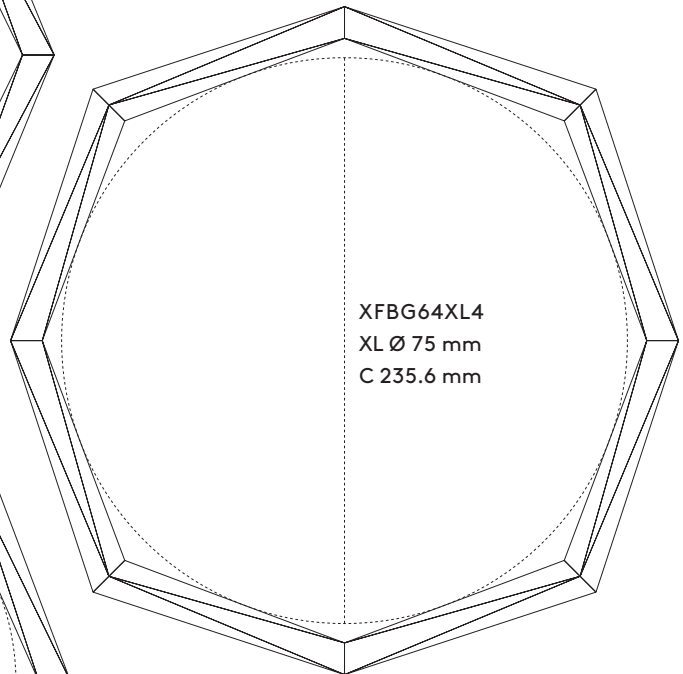
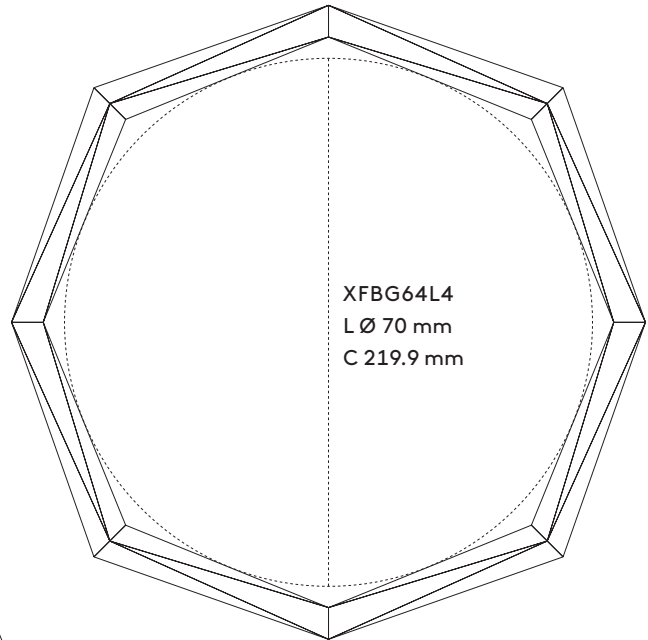
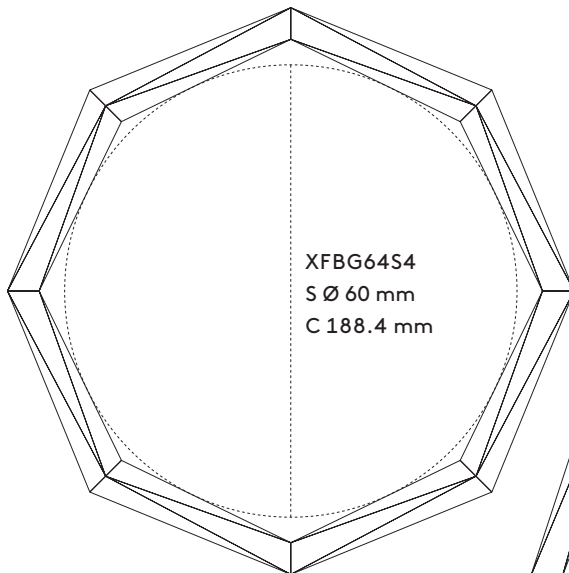
**Bangle sizes**

**Bangle templates**

Print this page on an A4 sheet and ensure that the document is in its original size, not scaled.

**Measure with the templates**

Cut out the templates along both the outer and inner edges (not along the dashed line). Then carefully put your hand through the hole and make sure the bangle fits securely without slipping off.



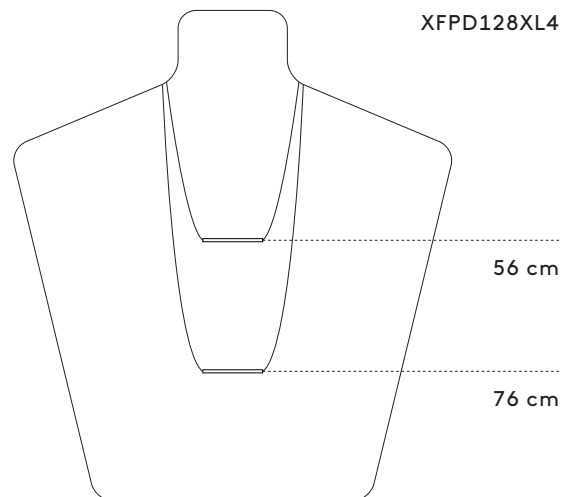
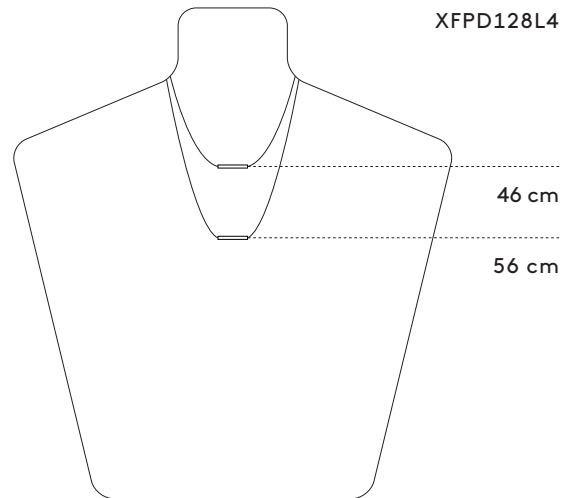
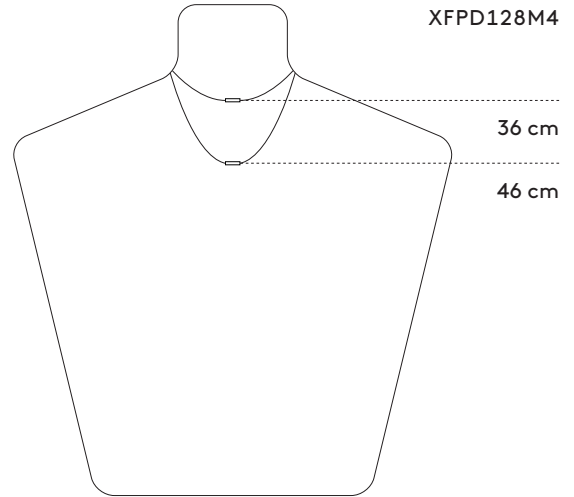
**Chain lengths**

Depending on the pendant size, we offer different chain lengths, and we recommend the following:

|            |                |
|------------|----------------|
| XFPD128M4  | 36 cm or 46 cm |
| XFPD128L4  | 46 cm or 56 cm |
| XFPD128XL4 | 56 cm or 76 cm |

**Measure with a string**

Cut a string to your preferred length and place it around your neck to ensure a comfortable fit. Please note that our pendant sits horizontally, which may visually shorten the chain length. The full length of the chain incorporates the 1.5 cm swivel.



**Dimensions**

**Bar Earring**

|           |                     |
|-----------|---------------------|
| XFBE32S2  | 2.82 × 2.82 × 10 mm |
| XFBE128S2 | 2.82 × 2.82 × 10 mm |
| XFBE32M2  | 2.82 × 2.82 × 20 mm |
| XFBE128M2 | 2.82 × 2.82 × 20 mm |
| XFBE32L2  | 2.82 × 2.82 × 40 mm |
| XFBE128L2 | 2.82 × 2.82 × 40 mm |

**Pendant**

|           |                     |
|-----------|---------------------|
| XFPD16M4  | 5.66 × 5.66 × 20 mm |
| XFPD32L4  | 5.66 × 5.66 × 40 mm |
| XFPD64XL4 | 5.66 × 5.66 × 80 mm |

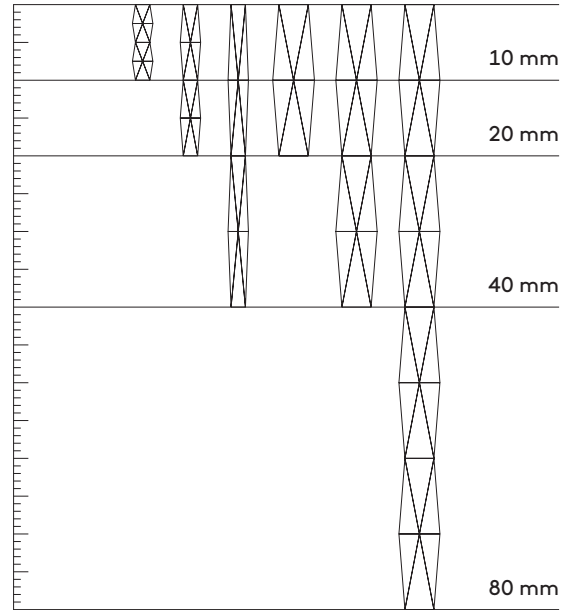
**Circle Earring**

|           |                       |
|-----------|-----------------------|
| XFCE64S2  | 2.82 × 10 × 10 mm     |
| XFCE128S2 | 2.82 × 10 × 10 mm     |
| XFCE256S2 | 2.82 × 10.6 × 10.6 mm |
| XFCE128M2 | 2.82 × 20 × 20 mm     |
| XFCE256M2 | 2.82 × 20.4 × 20.4 mm |
| XFCE512M2 | 2.82 × 20.7 × 20.7 mm |

**Creole**

|            |                       |
|------------|-----------------------|
| XFCO64M2   | 2.82 × 20 × 20 mm     |
| XFCO128M2  | 2.82 × 20 × 20 mm     |
| XFCO256M2  | 2.82 × 20.4 × 20.4 mm |
| XFCO256L2  | 2.82 × 40 × 40 mm     |
| XFCO512L2  | 2.82 × 40.5 × 40.5 mm |
| XFCO1024L2 | 2.82 × 40.7 × 40.7 mm |

**Bar Earring and Pendant**



**Circle Earring and Creole**

